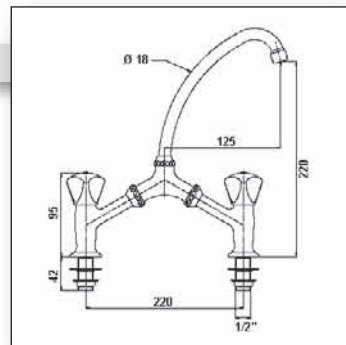


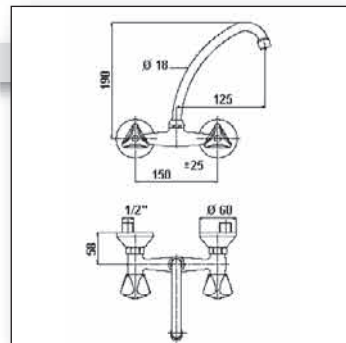
Art. B 105E A000
Single-Hole Washbasin Mixer 1/2"
with Pop-up-waste 1.1/4"

Art. B 105F A000
As above but with Chainholder,
without Pop-up-waste

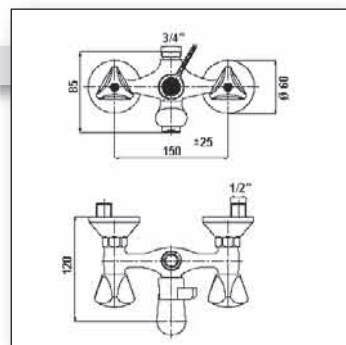
Including Cu-Tubes -
Flex. Conn. on Request !



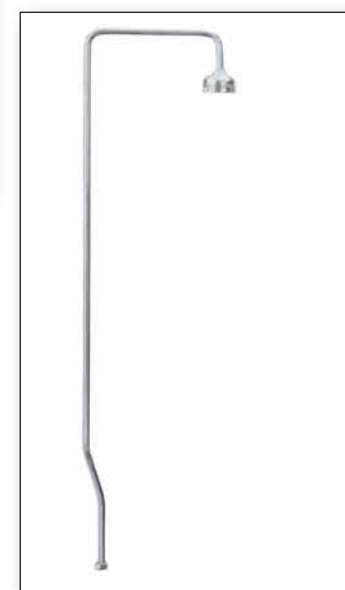
Art. B 107H A000
Washbasin Mixer 1/2" with adjustable Bridge
with HU-Tube Spout, heavy Model



Art. B 1110 AHU0
Wall Sink Mixer 1/2"
with HU-Spout



Art. B 1040 A000
Bath and Shower Mixer 1/2"



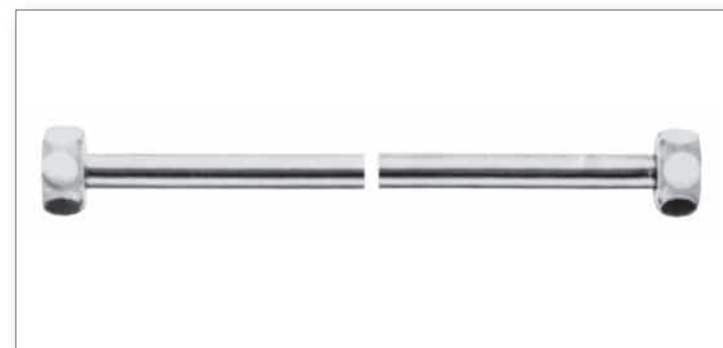
Art. B 1020 0000
Standpipe
130 cm
with Wall Clip
and Showerhead
1/2" x Ø 85 mm



Art. A HDLE 1200
3-Point Metal Handle 1/2"



Art. F HDLE 1200
3-Point Metal Handle 1/2"
big and heavy Model



Art. B 2180 0000
C.P. Copper tubes
both ends flanged,
with 2 Nuts 1/2" -
available in various lengths
and executions
lents: 30 - 40 - 50 - 60 cm



Art. B 2160 1238
Reducing Nipple 1/2" x 3/8"
with Compression Nut 3/8"
for Copper tube 10 mm



Art. B 2150 1210
Compression Nut
4-parts, 1/2" for Copper tube 10 mm

Art. B 2150 3810
As above, but 3/8" x 10 mm



Art. B 5220 0000
Doppel Nippel AG x AG
Double Nipple M x M

BENKISER

www.BENKISER.de

CONTACT :



GERMANY

HAN-SANITÄR GmbH & Co. KG
Sanitary Mixers and Fittings

P.O. Box 11 14 21 • D-20414 Hamburg
Mattenwiete 6 • D-20457 Hamburg

Phone ++49 (0) 40 - 37 85 66-0
Fax ++49 (0) 40 - 36 79 00

E-mail: HSH@Han-Sanitaer.com

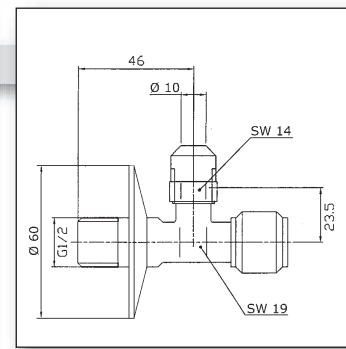
www.HAN-SANITAER.com

Layout, Design & Production: Stefan Scheil • Tel. 092471 - 602 380 • www.5em.de

Special - Programme
for
Middle East Distributors

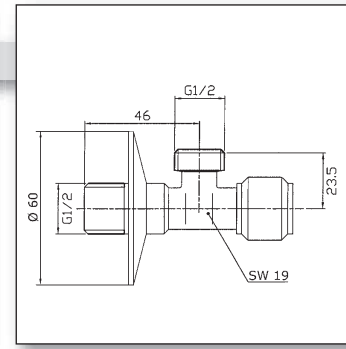


VALVES • MIXERS • INSTALLATION PARTS



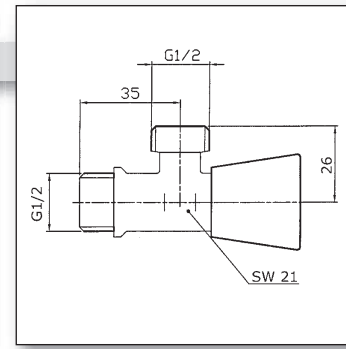
Art. B 122A 1238

Angle Valve 1/2" x 3/8", with C.P. Brass Compression Nut, with Rosette, Noise Class 1 (lowest noise), Approval No. P-IX 794/IA, Single Box Packing



Art. B 122B 1212

Angle Valve 1/2" x 1/2", without Compression Nut, with Rosette, Noise Class 1 (lowest noise), Approval No. P-IX 794/IA, Single Box Packing



Art. B 1220 A000

Angle Valve 1/2" x 1/2", with Sanitary Headpart, with 3-Point Metal Handle, Noise Class 1 (lowest noise), Approval No. P-IX 795/IA, Single Box Packing



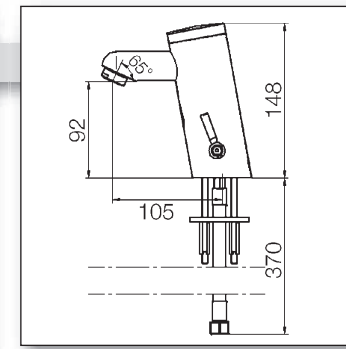
Art. B 2710 1200

Bibcock 1/2" chromed, with T-Handle, with Hose Connection 3/4"



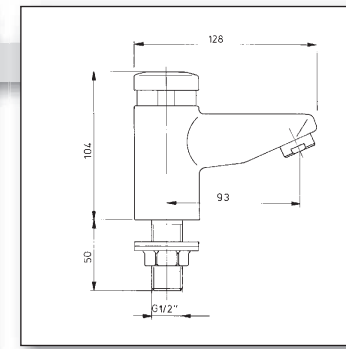
Art. B 2710 3400

Bibcock 3/4" chromed, with T-Handle, with Hose Connection 1"



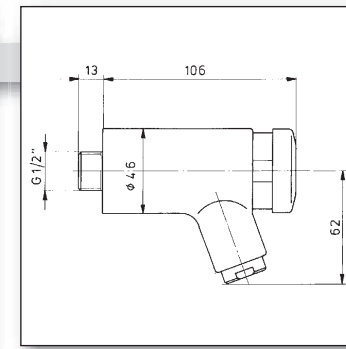
Art. B 3150 0197

Basin Mixer Sensor Type, 6V Battery Infrared Sensor, 6V Solenoid Compact Valve
Min. Pressure from 0,5 bar to max. 5,0 bar
Flow Rate abt. 12 litres/min (DIN EN 816)
Mixing Function incl. Hot Water Stop
Automatic Function at 8 sec. Running Time and Range of abt. 16 cm
Individual Adjustments by Remote Control (no Standard Supply)



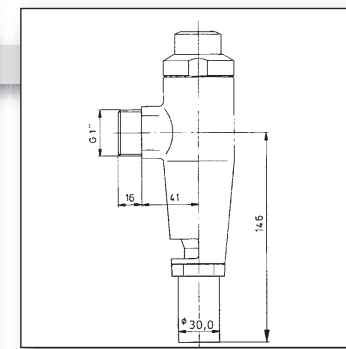
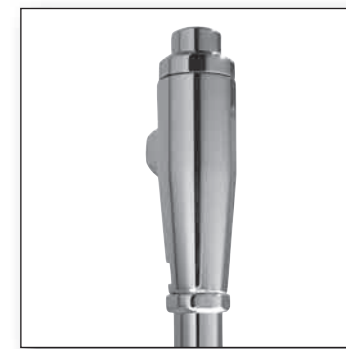
Art. B 312B 0177

Basin Self Closing Tap 1/2", with Aerator, Index Blue Push Button Operated (Full Brass), Min. Pressure 0,5 bar to max. 5 bar
Flow Rate about 12 litres/min. (German DIN), **Noise Class 1**



Art. B 316B 0178

Self Closing Wallmounted Tap 1/2", (for cold water) with Aerator, Index Blue
Min. Pressure 0,5 bar to max. 5 bar
Flow Rate about 12 litres/min. (German DIN)
Running Time about 8 sec. (at 2 bar), pre-set



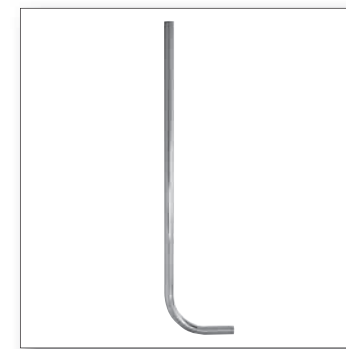
Art. B 3110 0890

WC Flush Valve 1", Push Button Operated, 0,5 - abt. 1,5 bar
The Specialist for Low Pressure Conditions
Flushing Volume 6 litres (DIN EN 12541)

موديل عربي
Arabian Model

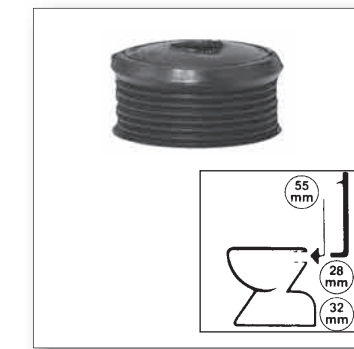
Art. B 3100 K890

As above, but 3/4" (DN 20) with Pipe Connector ϕ 25,5 mm for Flush Pipe 3/4", 1,2 - abt. 4 bar



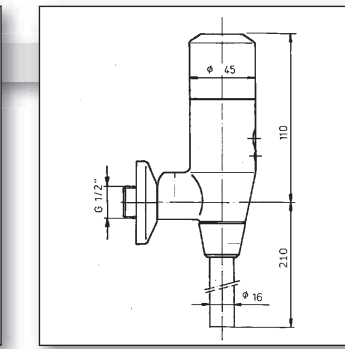
Art. B 3080 0120

C.P. Flush Pipe
For WC Flush Valve 1", 32 x 1200 mm, straight



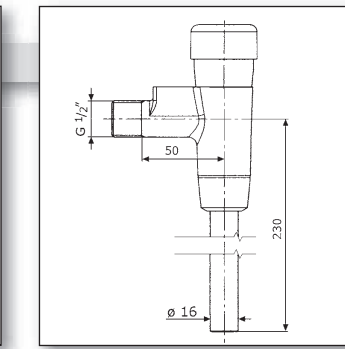
Art. B 4090 0715

Connector for Flush Pipes
(3/4" - 1") ϕ 28 - 32 mm



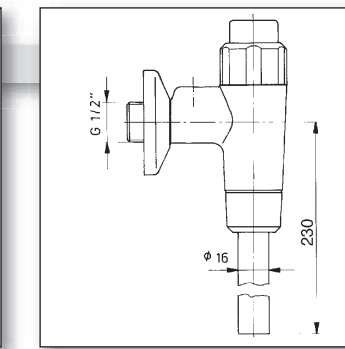
Art. B 3360 0699

Urinal Flush Valve Sensor Type 1/2", with Stop-Valve With Infrared Sensor, 6V Solenoid Valve as Compact Modul
Min. Pressure 0,5 bar to max. 5 bar
Flow Regulation by Stop Valve
Flushing Volume 2 - 4 litres (DIN EN 12541)
Optical Signal when Battery is exhausted



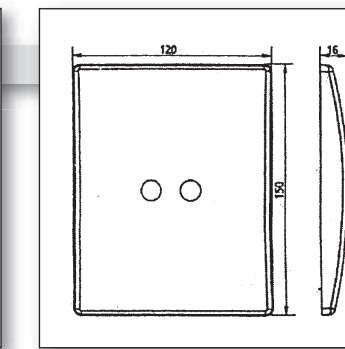
Art. B 306N 0677

Urinal Flush Valve 1/2", with Stop-Valve Push Button Operated (Full Brass)
Min. Pressure 0,5 bar to max. 5 bar
Flow Regulation by Stop Valve
Flushing Volume 2 - 4 litres (DIN EN 12541)



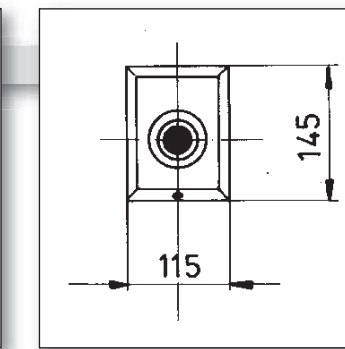
Art. B 3060 0667

Urinal Flush Valve 1/2"
Min. Pressure 0,5 bar to max. 5 bar
Flushing Volume 2 - 4 litres (DIN EN 12541)



Art. B 3370 0333

Concealed Urinal Sensor Flush Valve 1/2", Battery-operated With Infrared Sensor
Min. Pressure 0,5 bar to max. 5 bar
Flushing Volume according to DIN EN 12541



Art. B 3050 0601

Concealed Urinal Flush Valve 1/2" (DN 15) with Stop-Valve Easy Installation with Compact Polystyrene Built-In-Set
Min. Pressure 0,5 bar to max. 5 bar
Flushing Volume 2 - 4 litres (DIN EN 12541)
Wall Cover made of Stainless Steel, Size: 115 x 145 mm