



Concealed cistern

INEO

External elegance ...



Concealed cistern

INEO

... internal ingenuity

Nicoll
BUILDING - SANITARY - ENVIRONMENT

Why install a hung pan rather than a floor-mounted pan?

▶ More attractive

The concealed cistern solution offers a choice of control plate designs to match the style of the room.

▶ More practical

And more hygienic: the floor is left entirely clear, making cleaning easier.

▶ More flexible

The height of the pan.

▶ Quieter

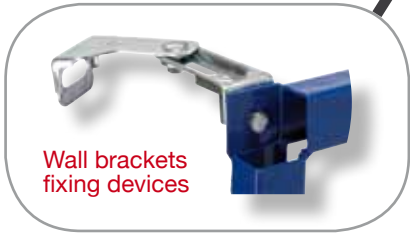
The concealed flush system brings an improved acoustic performance.





4 reasons to choose INEO, the concealed cistern from Nicoll...

1
a universal
solution



Wall brackets fixing devices



Self-supporting feet



For all types of installation

The product can be inspected regardless of the installation method, including installation with access from behind the wall.



For all types of installation

Can be fixed to the floor, or to the floor and wall, corner installation.

WALL-MOUNTED



installation on a supporting wall

SELF-SUPPORTING



Installation on strong floor



Installation with access from behind the wall



corner installation

For all types of wall-hung pans

Including designer pans on a wall up to 50mm thick.

For specific solutions

The standard product is suitable for specific applications, with a range of kits available (disabled people).

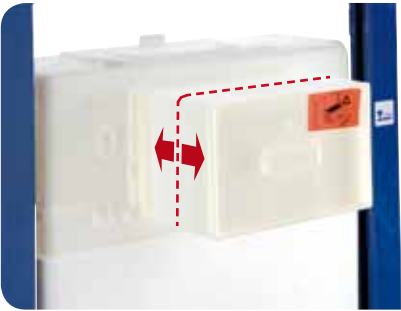


2

Optimised assembly

Easy

The tiling and protection box is placed easily. It can be cut to suit the thickness of the cladding.



Quick

No adjustment required, regardless of the thickness of the cladding (10 cm max.) thanks to the cable flush system.



Flexible

The pan connector clamp can be adjusted backwards.



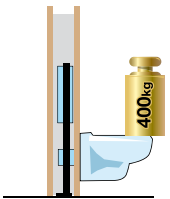
3

Approved quality and reliability



A complete NF-certified system

- An NF-approved and certified double-cable flush system, with patented soft closing system.
- An NF-certified, silent, class 1 acoustic fill valve. Guaranteed to work at any pressure. Impurity-resistant.
- Steel frame with NF-certified epoxy anti-rust treatment, complies with XP D12 - 208 standard.
- Frame can support a load of 400 kg and is NF-certified in accordance with XP D12-208 standard.



A clever system

- Water inlet connection located inside the cistern : prevents flooding in the event of a leak.



Guarantees

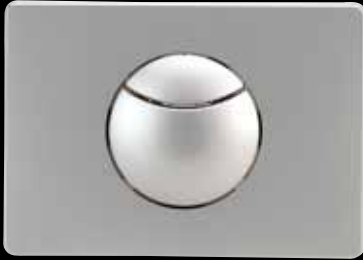
- Guaranteed spare part availability for 25 years.
- Cistern and frame guaranteed for 10 years against all manufacturing defects, excluding wearing parts



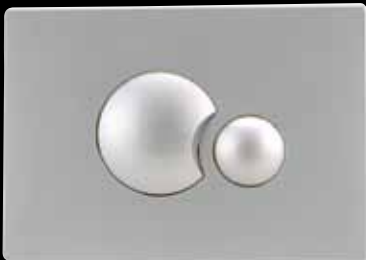
4

Design solutions

Attractive and elegant designs that match the latest interior design trends



ROMA



VENEZIA

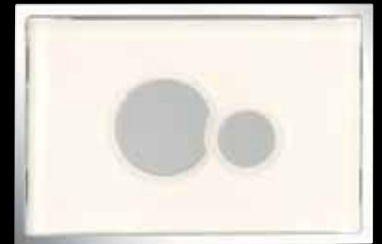


VERONA





MILANO



MURANO



TORINO

Different concealed cisterns for different installations ?

▶ **Universal solution**

▶ **Space-saving solutions**

▶ **Disability solution**

▶ **Comfort solution**





**Pre-wall
on a strong wall
on a strong floor
In a corner**

Self-supporting frame.

Réf : BP02



ULTRA FLAT

Pre-wall on a strong wall

Ultra flat 8cm concealed cistern.

Réf : BP03



LOW HEIGHT

Pre-wall on strong floor

Concealed cistern with low frame.

Réf : W651



Installation set for an extended pan

Set of extended connectors and threaded rods.

Réf : 0709177



For installation of a prehension bar

Kit for disabled.
For installation on BP02 concealed cistern.

Réf : KP02D (Right side).
KP02G (Left side).



For smell exhaust.

Smell exhaust set.
For installation on BP01 or BP02.

Réf : KP03
(Ventilator not supplied)



For replacement of a floor pan with vertical outlet.

S-bend.

Réf : KP04



BP02 universal self-supporting concealed cistern

INEO



MURANO



VENEZIA



MILANO



TORINO



VERONA



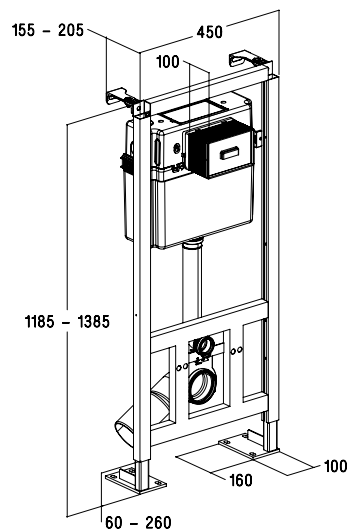
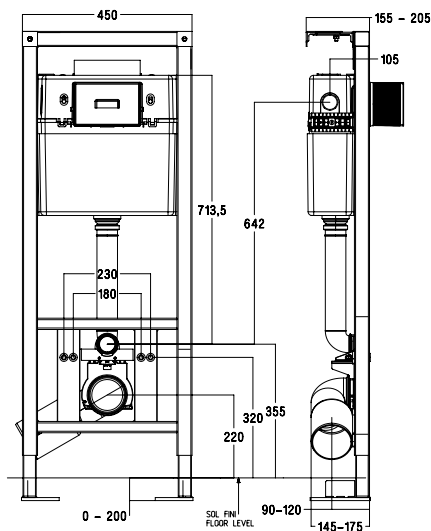
ROMA



Technical characteristics

- Can be fixed to the floor and wall, or to the floor only.
- Adjustable wall fixing brackets : can be oriented for corner installation, supplied but optional.
- 6 points floor fastening using metal dowels (provided).
- Steel frame with anti-rust treatment, capable of supporting a load of 400 kg.
- PVC 100 mm bent connector.
- Pan connector clamp adjustable backwards.
- Extended kit: outlet connector, inlet connector and threaded rods (L=300mm).
- For 180/230mm WC pans.
- Water inlet connection located inside the cistern: flexible hose and stop cock provided.
- Water inlet on the right or left side.
- Dual flush mechanism with 2 cables.
- Silent fill valve
- Cistern externally insulated against condensation.
- Manual or electronic flush.

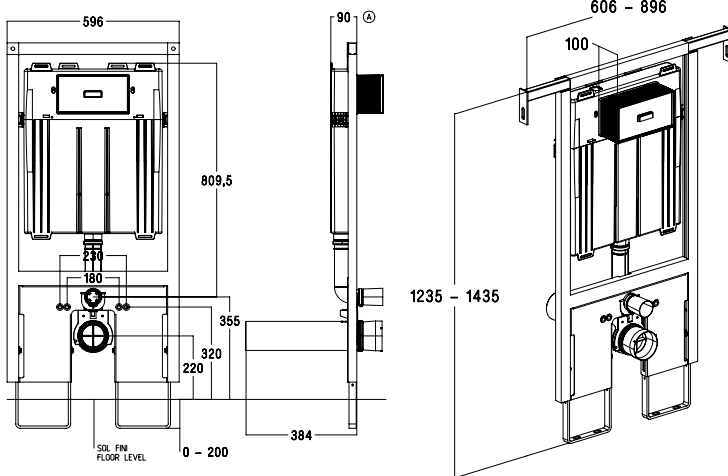
- Wall-mounted version available
Réf. BP01



Thin wall mounts BP03

Technical characteristics

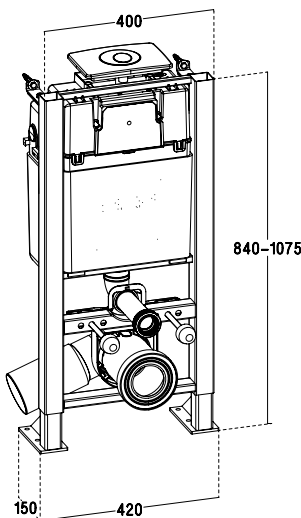
- Can be fixed to a strong wall, partition wall or brick wall.
- For lateral fixing to a light wall or a strong wall.
- Adjustable lateral profiles.
- Frame with anti-rust treatment.
- Ultra flat cistern – 8 cm deep.
- Cistern internally insulated against condensation
- On top water supply.
- PVC 100 mm straight connector.
- Pan connector clamp adjustable backwards.
- Outlet connector, inlet connector, threaded rods L=180mm.
- For 180/230mm hung pans.
- Water inlet connection located outside the cistern.
- Double-volume lever mechanism.
- Silent fill valve.
- Manual flush.



Low height concealed cistern W651

Technical characteristics

- Low self-supporting frame.
- Can be fixed to the floor and wall, or to the floor only.
- Wall fixing brackets - provided but not essential.
- Fixed to the floor at 6 points floor fastening metal dowels (provided).
- Steel frame with anti-rust treatment, capable of supporting a load of 400 kg.
- PVC 100 mm bent connector.
- Basin fixing interaxial, 180 mm and 230 mm.
- Water inlet connection located outside the cistern.
- Water inlet on the right or left side.
- Cistern externally isolated against condensation.
- Double-volume cable mechanism
- Silent fill valve.
- Manual flush above the cistern via a control plate or button.



NEW

Push plates for BP01 and BP02

MURANO

Ultra flat, perfect integration into the wall

Plate sizes : 121 x 181 mm

Glass plate
Dual flush



Mint green
Réf. : PB06M



White
Réf. : PB06B

Glass plate
ABS
Dual flush



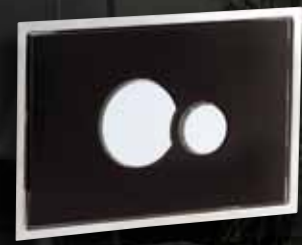
White
with matt
chrome buttons
Réf. : PB6BC



Black
with glossy
chrome buttons
Réf. : PB6ND



Mint green
with white buttons
Réf. : PB6MB



Black
with white buttons
Réf. : PB6NB

Electronic glass plate
Dual flush

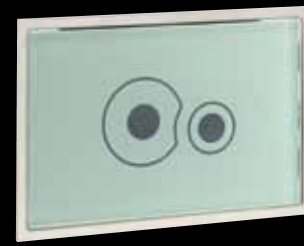


White
Réf. : PB6EB



Noire
Réf. : PB6EN

Touch free



Mint green
Réf. : PB6EM

Unique High tech
Exceptional
Touch-sensitive



Push plates for BP01 and BP02

Plate sizes : 145 x 205 mm

VENEZIA

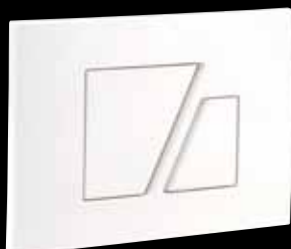


White
Réf. : PB02B

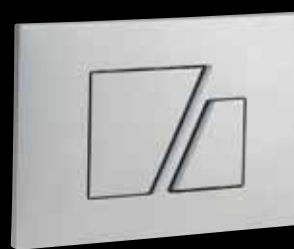


Matt chrome
Réf. : PB02C

MILANO

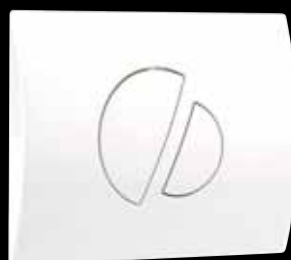


White
Réf. : PB03B

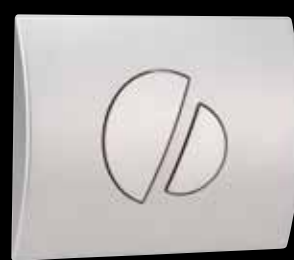


Matt chrome
Réf. : PB03C

VERONA



White
Réf. : PB05B



Matt chrome
Réf. : PB05C

TORINO

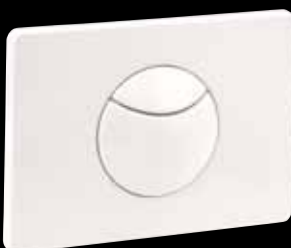


White
Réf. : PB04B



Matt chrome
Réf. : PB04C

ROMA



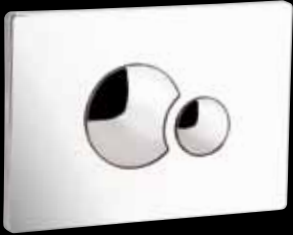
White
Réf. : PB01B



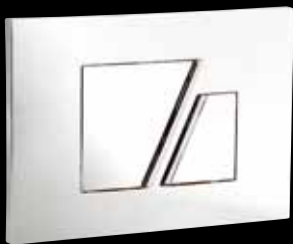
Matt chrome
Réf. : PB01C

Design Quality

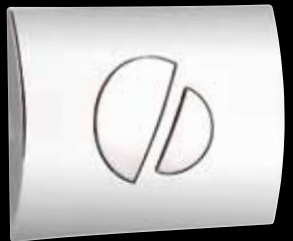
Attractiveness



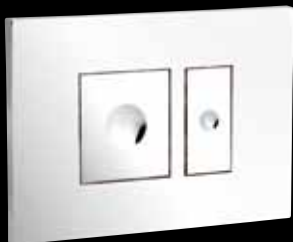
Glossy chrome
Réf. : PB02D



Glossy chrome
Réf. : PB03D



Glossy chrome
Réf. : PB05D



Glossy chrome
Réf. : PB04D



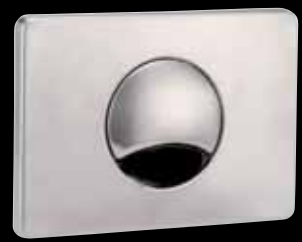
Glossy chrome
Réf. : PB01D



Automatic, infrared detection
flush plate



Stainless steel
Réf. : PB01I



Stainless steel
Réf. : PB01E
Controlled with KP05 or KP06 (see p.19)

Push plates for low height concealed cistern U651

Plate sizes : 146 x 205 mm

Plate with droplet buttons



White
Réf. : 380



Matt chrome
Réf. : 381



Glossy chrome
Réf. : 386

Plate with round buttons



White
Réf. : 389



Matt chrome
Réf. : 395



Glossy chrome
Réf. : 396



Matt chrome
Glossy chrome
Réf. : 397



Matt chrome
Chrome mat
Réf. : 398

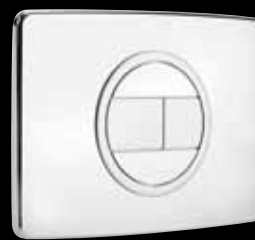
Plate with rectangular buttons



White
Réf. : 411



Matt chrome
Réf. : 412



Glossy chrome
Réf. : 413

Push buttons



White
Réf. : 403L



Matt chrome
Réf. : 404L



Glossy chrome
Réf. : 405L

Compact
Safe
Original



Push plates for BP03 ultra-flat concealed cistern

Plate sizes : 146 x 280 mm



White
Réf. : 406B



Matt chrome
Réf. : 406C



Glossy chrome
Réf. : 406D



White
Réf. : 400



Matt chrome
Réf. : 401



Glossy chrome
Réf. : 402

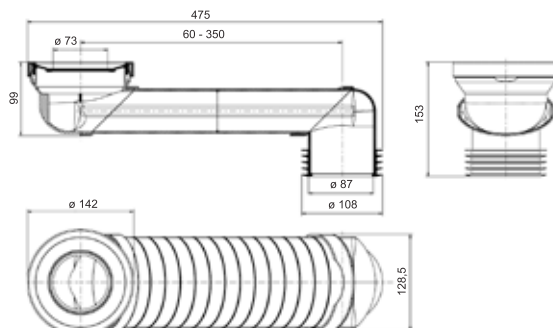
Accessories

S-bend

Réf. : KP04



To replace a floor-mounted toilet with vertical outlet

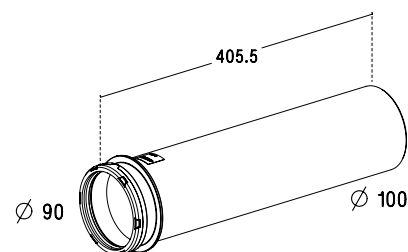


Straight PVC outlet

Réf. : DW7-0709213



Straight PVC pipe (white) to fix to the clamp.
Length = 400mm
100 mm O-ring at the fixing end

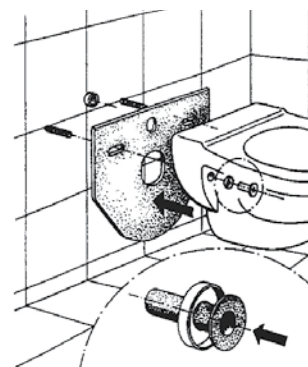


Sound insulation set for hung pan.

Réf. : 366



For 180/230mm hung pan.

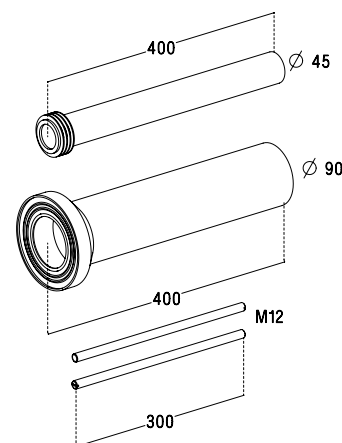


Kit for extended pan.

Réf. : DW7-0709177



To connect cistern to the pan when the pan is extended or when the wall is thick (>70mm).



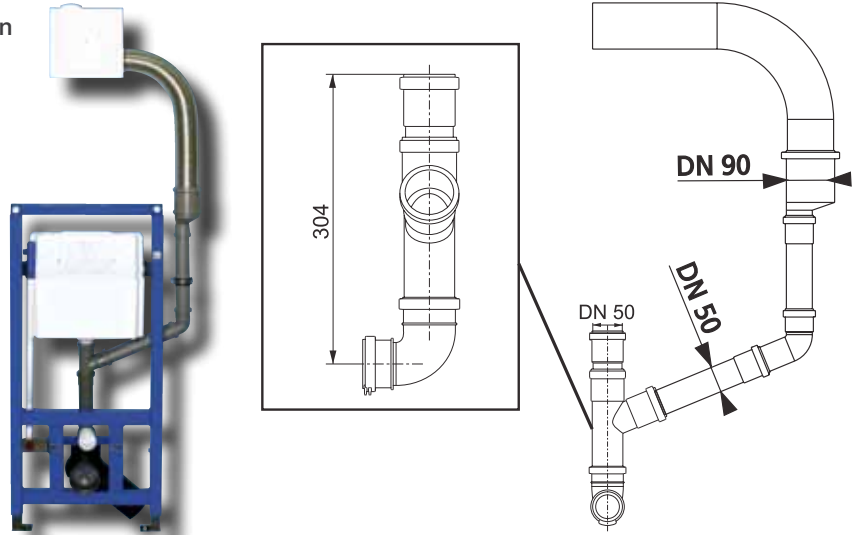
Smell exhaust set

Réf. : KP03

Full smell exhaust kit for pan ventilation.

Can be installed on BP01 and BP02.

Ventilation system not supplied.



Disabled kit.

Réf. : KP02G
KP02D

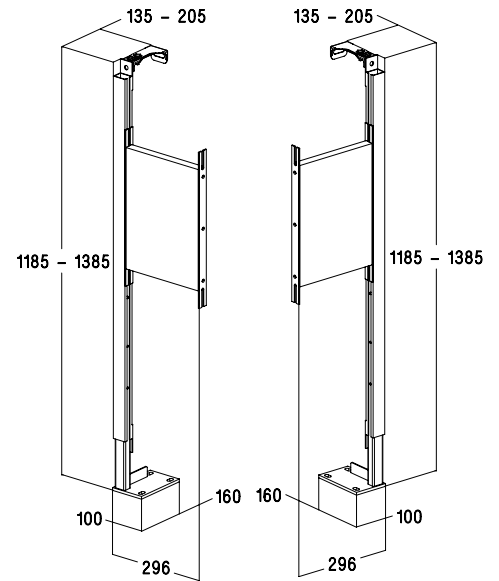
Can be used to fix a prehension bar to the frame (not provided)

Parts included:

Frame extension with self-supporting feet and wall fixing brackets to be fixed next to the frame with self-drilling screws.

Water-repellent wooden plate to fix the bar (height-adjustable)

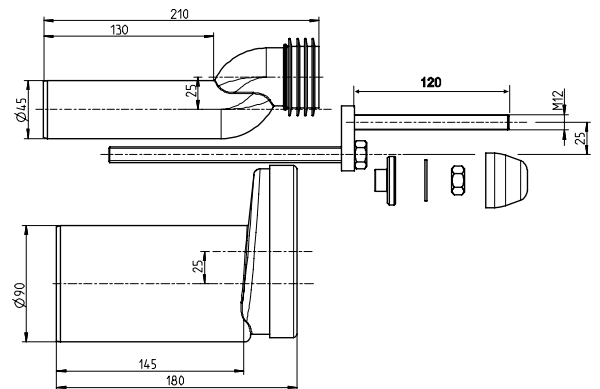
2 kits available :
1 for left-hand fixing,
1 for right-hand fixing



Offset connectors.

Réf. : KP01

Enables to lift the pan by 25mm.



Power supply kit

Réf. : KP05
Réf. : KP06

For mains power supply :
a 220V-6V transformer for infrared control PB01E
Réf. : KP05

For battery power supply :
battery power supply for infrared control PB01E
Réf. : KP06



Frames for sanitary appliances

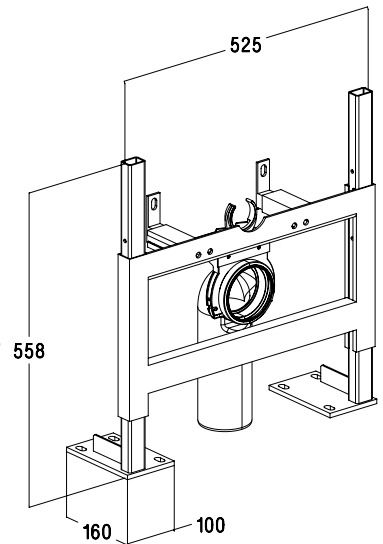
Frame for hung pan

Réf. : BP04



Technical characteristics

- Self-supporting frame.
- Can be fixed to the floor and wall, or to the floor only.
- Wall fixing brackets - provided but optional.
- 6 points fastening on the floor using metal dowels (provided).
- Steel frame with anti-rust treatment, capable of supporting a load of 400 kg.
- PVC 100 mm bent connector.
- Outlet connector, inlet connector and threaded rods L=180mm
- For 180/230 mm WC pan.



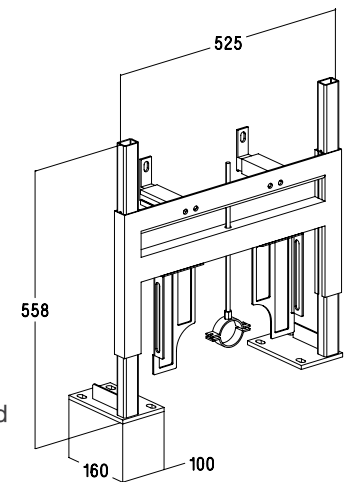
Bidet frame

Réf. : BP06



Technical characteristics

- Self-supporting frame. Can be fixed to the floor and wall, or to the floor only.
- Wall fixing brackets - provided but optional.
- 6 points fastening on the floor using metal dowels (provided).
- Steel frame with anti-rust treatment, capable of supporting a load of 250 kg.
- For 18/23 cm bidet.
- M12 threaded rods for bidet supplied.
- PVC diam 32mm and 40mm straight pipes to be glued supplied
- 2 taps connection supplied.



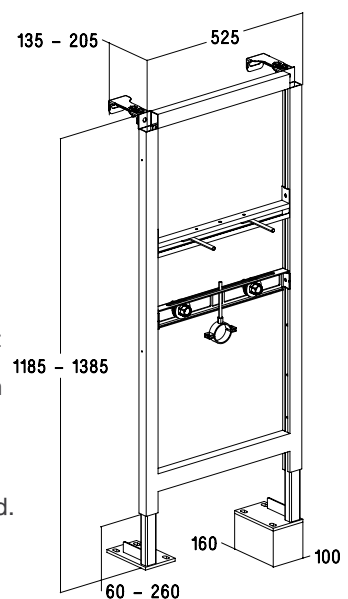
Washbasin frame

Réf. : BP05



Technical characteristics

- Self supporting frame. Can be fixed to the floor and wall, or to the floor only.
- Wall fixing brackets - provided but optional.
- Fixed to the floor at 6 points using metal dowels (provided).
- Steel frame with anti-rust treatment, capable of supporting a load of 250 kg.
- Height-adjustable clamp for outlet pipe.
- Tap connection plate adjustable in height and depth.
- M10 threaded rods for washbasin fixing supplied.
- PVC diam 32mm and 40mm straight pipes to be glued supplied.
- 2 taps connection supplied.





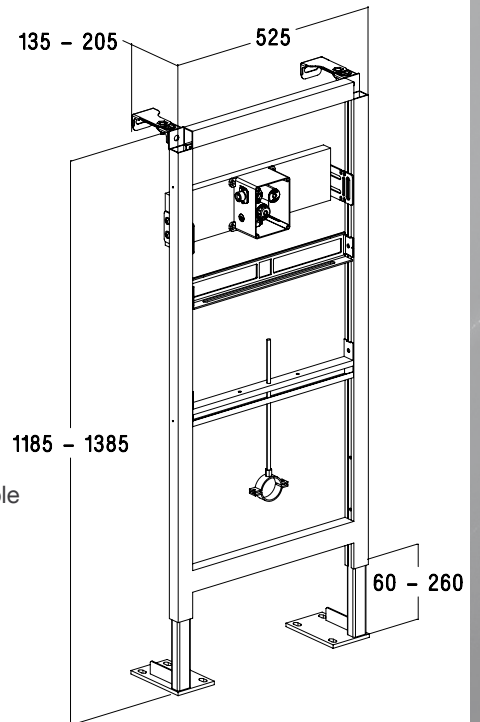
Urinal frame

Réf. : BP07



Technical characteristics

- Self-supporting frame. Can be fixed to the floor and wall, or to the floor only.
- Wall fixing brackets - provided but optional.
- 6 points fastening on the floor using metal dowels (provided).
- Steel frame with anti-rust treatment, capable of supporting a load of 250 kg.
- Diameter 35mm water inlet adjustable in height.
- M8 threaded rods adjustable in height.
- Outlet clamp adjustable in height. 1185 - 1385
- Built-in supply box.
- Supply box connection with flexible hose.
- Manual or electronic flush.



Manual push plate

White - Réf. : PU01B
Matt chrome - Réf. : PU01C



Automatic trigger plate by infrared detection.
6v battery power supply.

White - Réf. : PU02B
Matt chrome - Réf. : PU02C



Automatic trigger plate in stainless steel by infrared detection.
Mains power supply (230V-6V transformer provided)

Réf. : PU03I



BUILDING - SANITARY - ENVIRONMENT

NICOLL is ISO 9001v2008 and ISO14001v2004 certified

Head Office and factories: 37, rue Pierre & Marie Curie - BP 10966 - 49309 CHOLET Cedex // Tel. 02 41 63 73 83 - Fax 02 41 63 73 57

For Requests documentation: export.nicoll@alixis.com // Technical enquiries: tech-com.nicoll@alixis.com

SAS (business corporation) with a capital of €7,683,431 - 060 200 128 RCS Angers

an *Aliaxis* company