

3V Dual flush mechanisms

3V

The third generation of dual flush mechanisms

NEW

	<p>3V12 Universal dual flush mechanism with cable system</p> <ul style="list-style-type: none"> totally silent adapted to all standard cisterns of the market including the ones equipped with a pull mechanism 		
<p>Ref 0702116</p>		<p>D3V12 kit for Porcher Aspirambo cistern including a seal and a special 2" nut REF.0709314 To be ordered with the 3V12.</p>	
	<p>3V101 Dual flush mechanism with cable system</p> <ul style="list-style-type: none"> quick and easy installation self-adjusting small flush totally silent with 2" base 		
<p>3V101 - Ref 0702109</p>		<p>3V10S - Version in plastic bag packaging 0702114</p>	
	<p>3V102 Dual flush mechanism with cable system with highly resistant float valve</p> <ul style="list-style-type: none"> with 2" base with 3/8" brass inlet 		
<p>Ref 0703120</p>			
	<p>3V301 Dual flush mechanism with stir-up</p> <ul style="list-style-type: none"> secured cover totally silent with 2" base 		
<p>3V301 - Ref 0702111</p>		<p>3V31S - Version in plastic bag packaging 0702125</p>	
	<p>3V302 Dual flush mechanism with stir-up and NF silent float valve</p> <ul style="list-style-type: none"> with 2" base with 3/8" brass inlet 		
<p>Ref 0703121</p>			



DID YOU KNOW THAT ?

- The stir-up version enables a safe installation as the cistern cover is locked.
- There is a +-15mm lateral offset range on the button, in case the button hole is not perfectly aligned with the valve.



3V

The third generation of dual flush mechanisms

NEW

Innovative, environment friendly, durable.

In new as well as refurbished housing, the **Nicoll 3V dual flush mechanism** adapts to all situations to save water. Its clever and simplified installation combined with reliability of Nicoll's product make it a must for all plumbers.

Benefits

- **Durable**, a high-quality design for a long-lasting product.
- **Environment-friendly**, the 3V dual flush mechanism significantly cuts water consumption of any cistern.
- **Silent**, a patented system absorbs the closing noise of the valve.
- **Universal**, designed to work with all WC pans, including the new 2,5/4 Liter ones.
- **Economical**, a easy and time-saving assembly.

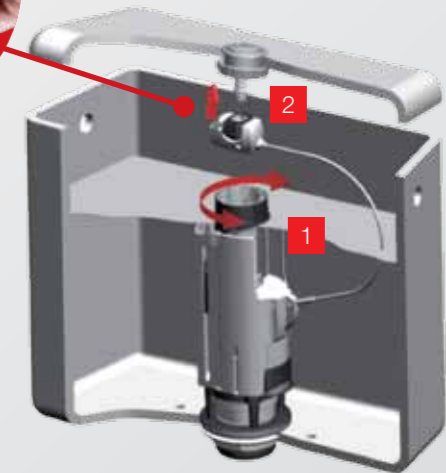
*35m³

Water-saving
for a 4 people family

In a ceramics cistern or a SAS / Nicoll branded prewall cistern, the 3V mechanism brings an answer to all situations thanks to an adapted range.



2 Clic the button, it is ready for use.



1 To adjust to the water high level, just rotate the overflow top.

- The cable system makes the installation really easy and quick.
- The overflow is telescopic : no need to cut it.
- The small flush automatically adapts to the cistern capacity (possible adjustment of +- 0,5 L).
- Same base as the previous version, enabling to replace the mechanism without dismantling the cistern (bayonet system).

Innovation for refurbishment

This 3V version is the only model of the market enabling to save water in all the cisterns including the ones equipped with a pull mechanism*.

* Except Porcher and Jacob Delafon mechanisms. For Porcher Aspirambo cistern, add the Porcher D3V12 kit

THE NICOLL EXTRA

- The new dual flush button fits to cistern covers with a hole from 6 to 50 mm diameter.

